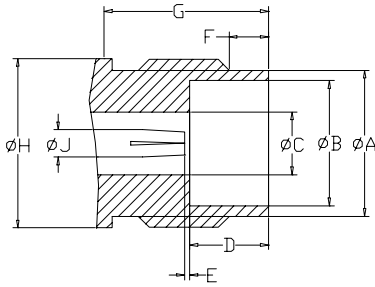


2.4 mm Connector Series

2.4 mm Connectors

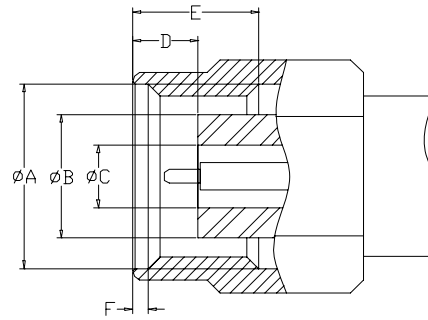
P2- Series

GigaLane **2.4 mm connectors (P2- series)** are designed to optimum RF performance up to 50 GHz. It is compatible with 1.85 mm connectors. It has been well accepted to Space, Military, and Commercial applications.



2.4 mm JACK (FEMALE)

MILLIMETERS (INCHES)		
	MINIMUM	MAXIMUM
A	5.79 mm (0.228)	5.89 mm (0.232)
B	4.77 mm (0.1878)	4.795 mm (0.1888)
C	2.388 mm (0.0940)	2.413 mm (0.0950)
D	3.00 mm (0.118)	3.10 mm (0.122)
E	0.00 mm (0.000)	0.076 mm (0.003)
F	1.40 mm (0.055)	1.65 mm (0.065)
G	5.99 mm (0.236)	
H		6.48 mm (0.255)
J	1.031 mm (0.0406)	1.052 mm (0.0414)



2.4 mm PLUG (MALE)

MILLIMETERS (INCHES)		
	MINIMUM	MAXIMUM
A	7.01 mm (0.276)	7.11 mm (0.280)
B	4.72 mm (0.186)	4.75 mm (0.187)
C	2.388 mm (0.0940)	2.413 mm (0.0950)
D	1.85 mm (0.073)	2.67 mm (0.105)
E	4.56 mm (0.140)	3.81 mm (0.150)
F	0.51 mm (0.020)	0.76 mm (0.040)

Interface : MIL-STD-348 , 2.4mm

Specifications

No.	Parameters	Specifications
1	Impedance	50 Ohm
2	Frequency Range	DC ~ 50 GHz
3	VSWR	DC to 26.5 GHz..... 1.1 : 1 Max. 26.5 to 40 GHz.... 1.18 : 1 Max. 40 to 50 GHz.....1.21 : 1 Max.
4	Low RF Leakage	< -100 dB
5	Material	Passivated Stainless Steel
6	Contact	Beryllium Copper, Gold plated per MIL-G-45204
7	Temperature Range	-55 to +125 degree



Excellence and Innovation
in RF & Microwave Components

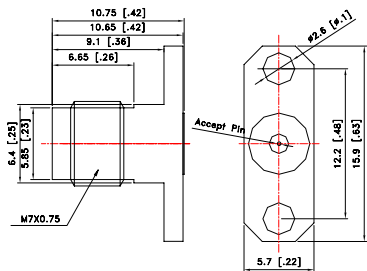
Suite 703, Kyonggi Venture Bldg
Suwon Center 1017 Inkye-dong, Paldal-gu
Suwon, Kyonggi-do, 442-833, Korea
TEL:+82-31-233-7325
TEL +82-31-233-7317

2.4 mm Connector Series

2.4 mm Series (JACK)

- DC to 50 GHz
- Mechanically Compatible with 1.85 mm Connectors
- Air Dielectric
- Captivated Center Contact

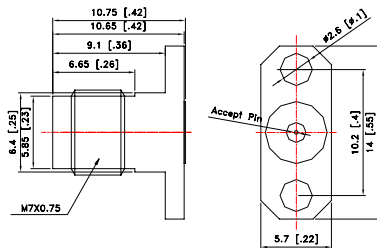
P2F-S00



P/N	Accept Pin
P2F-S00-1cc	0.3[0.012]
P2F-S00-2cc	0.38[0.015]
P2F-S00-3cc	0.46[0.018]
P2F-S00-4cc	0.51[0.02]



P2F-S01

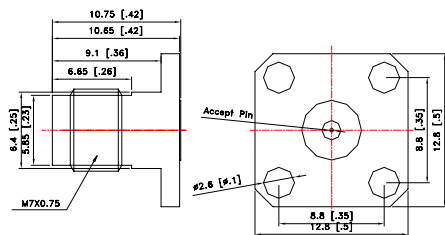


P/N	Accept Pin
P2F-S01-1cc	0.3[0.012]
P2F-S01-2cc	0.38[0.015]
P2F-S01-3cc	0.46[0.018]
P2F-S01-4cc	0.51[0.02]

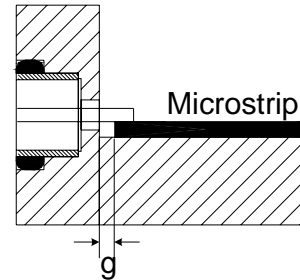
50 ohm Hermetic Seal



P2F-S02

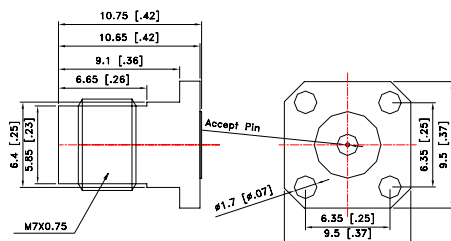


P/N	Accept Pin
P2F-S02-1cc	0.3[0.012]
P2F-S02-2cc	0.38[0.015]
P2F-S02-3cc	0.46[0.018]
P2F-S02-4cc	0.51[0.02]



Coax-to-Microstrip

P2F-S03



P/N	Accept Pin
P2F-S03-1cc	0.3[0.012]
P2F-S03-2cc	0.38[0.015]
P2F-S03-3cc	0.46[0.018]
P2F-S03-4cc	0.51[0.02]



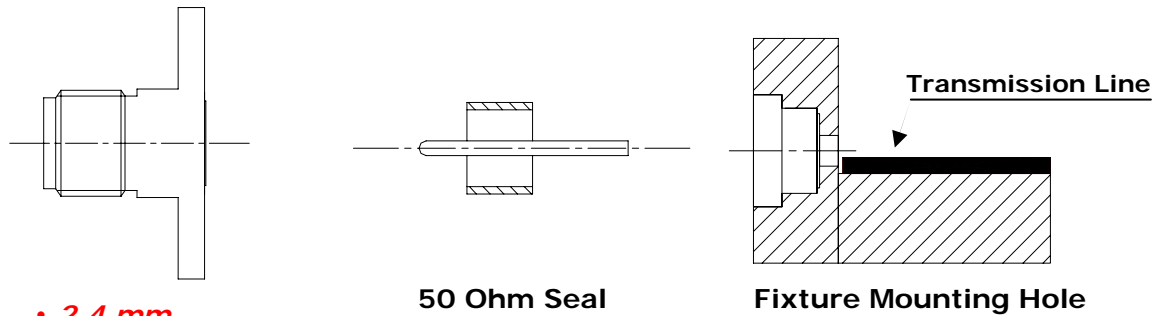
Excellence and Innovation
in RF & Microwave Components

Suite 703, Kyonggi Venture Bldg
Suwon Center 1017 Inkye-dong, Paldal-gu
Suwon, Kyonggi-do, 442-833, Korea
TEL:+82-31-233-7325
TEL +82-31-233-7317

2.92 mm Connector Series

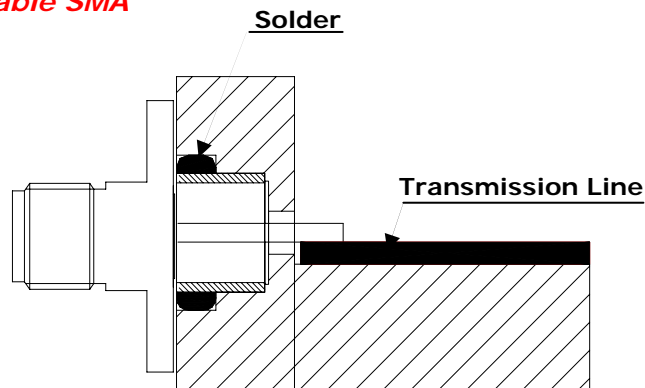
Installation Information

A. Installation



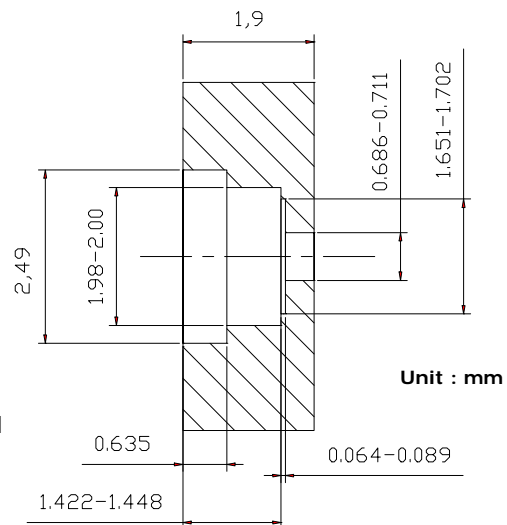
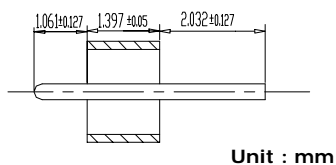
- 2.4 mm
- 2.92 mm
- Field Replaceable SMA

B. Assembly



C. 0.012" c/c seal mounting hole pattern for flange mount connectors

0.012" c/c Glass Seal



<Note>

- 1) Glass Meniscus 0.005 MAX(2X)
- 2) Hermeticity 1E(-8) STD CC /SEC @ 1 ATM
- 3) Gold Plated, MIL-G-45204, 50u MIN
Over Nickel, 100u MIN