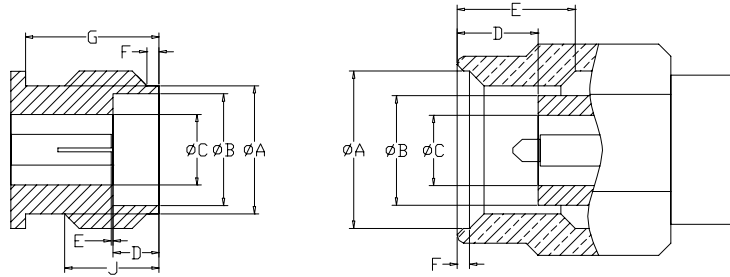


2.92 mm Connector Series

2.92 mm Connectors *PK- Series*

GigaLane **2.92 mm connectors (PK- series)** are designed for applications up to 40 GHz. It has a mechanically compatible interface that mates with SMA and 3.5mm connectors. The PK- Series are well suited to applications in components, systems, or instrumentation



2.92mm JACK (FEMALE)

MILLIMETERS (INCHES)		
	MINIMUM	MAXIMUM
A	5.28 mm (0.208)	5.46 mm (0.215)
B	4.6 mm (0.181)	4.65 mm (0.183)
C	2.9 mm (0.1145)	2.94 mm (0.115)
D	1.91 mm (0.075)	1.96 mm (0.077)
E	0.00 mm (0.000)	0.13 mm (0.005)
F	0.51 mm (0.020)	1.02 mm (0.040)
G	5.54 mm (0.218)	
H		6.34 mm (0.249)

2.92mm PLUG (MALE)

MILLIMETERS (INCHES)		
	MINIMUM	MAXIMUM
A	6.48 mm (0.225)	6.73 mm (0.256)
B	4.521 mm (0.178)	4.592 mm (0.1808)
C	2.9 mm (0.1145)	2.934 mm (0.115)
D		3.35 mm (0.132)
E	3.81 mm (0.150)	4.32 mm (0.170)
F	0.51 mm (0.020)	1.02 mm (0.040)

Interface : MIL-STD-348 , 2.92mm

Specifications

No.	Parameters	Specifications
1	Impedance	50 Ohm
2	Frequency Range	DC ~ 40 GHz
3	VSWR	DC to 27.0 GHz..... 1.1 : 1 Max. 27.0 to 40 GHz.....1.16 : 1 Max.
4	Low RF Leakage	< -100 dB
5	Material	Passivated Stainless Steel
6	Contact	Beryllium Copper, Gold Plated per MIL-G-45204
7	Temperature Range	-55 to +125 Degree



Excellence and Innovation
in RF & Microwave Components

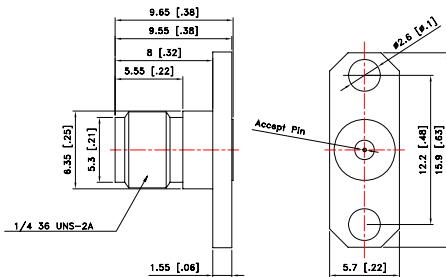
Suite 703, Kyonggi Venture Bldg
Suwon Center 1017 Inkye-dong, Paldal-gu
Suwon, Kyonggi-do, 442-833, Korea
TEL:+82-31-233-7325
TEL +82-31-233-7317

2.92 mm Connector Series

2.92mm Series (JACK)

- DC to 40 GHz
- Mechanically Compatible with SMA and 3.5 mm Connectors
- Air Dielectric
- Captivated Center Contact

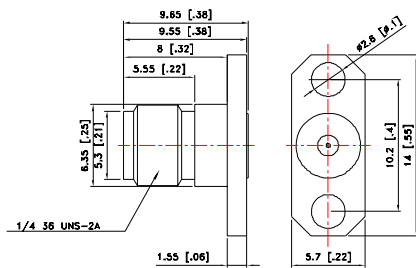
PKF-S00



P/N	Accept Pin
PKM-S00(F)-1cc	0.3[0.012]
PKM-S00(F)-2cc	0.38[0.015]
PKM-S00(F)-3cc	0.46[0.018]
PKM-S00(F)-4cc	0.51[0.02]



PKF-S01

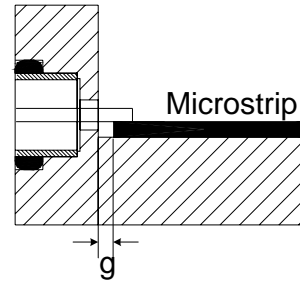


P/N	Accept Pin
PKM-S01(F)-1cc	0.3[0.012]
PKM-S01(F)-2cc	0.38[0.015]
PKM-S01(F)-3cc	0.46[0.018]
PKM-S01(F)-4cc	0.51[0.02]

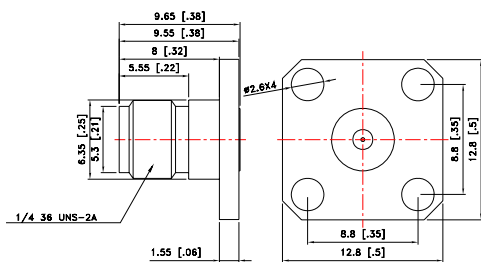
50 ohm Hermetic Seal



Coax-to-Microstrip

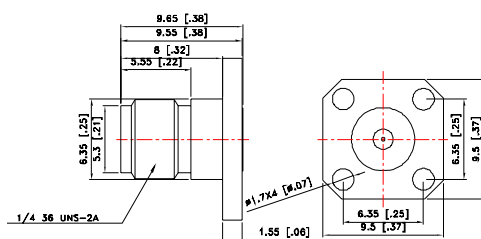


PKF-S02



P/N	Accept Pin
PKM-S02(F)-1cc	0.3[0.012]
PKM-S02(F)-2cc	0.38[0.015]
PKM-S02(F)-3cc	0.46[0.018]
PKM-S02(F)-4cc	0.51[0.02]

PKF-S03

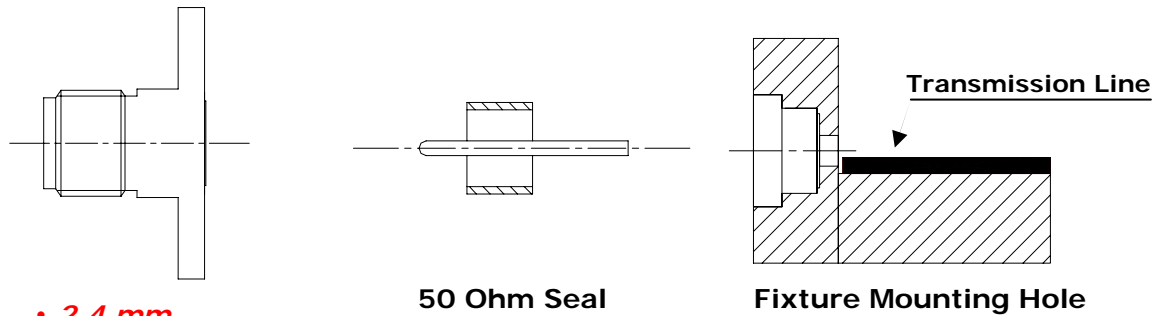


P/N	Accept Pin
PKM-S03(F)-1cc	0.3[0.012]
PKM-S03(F)-2cc	0.38[0.015]
PKM-S03(F)-3cc	0.46[0.018]
PKM-S03(F)-4cc	0.51[0.02]

2.92 mm Connector Series

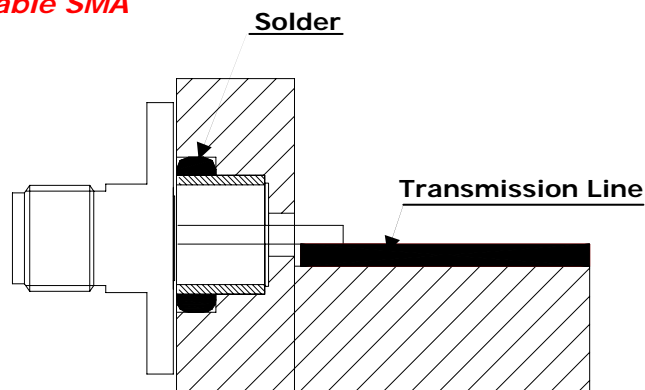
Installation Information

A. Installation



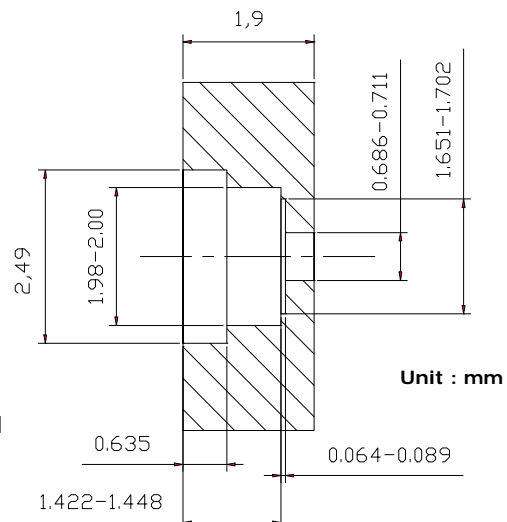
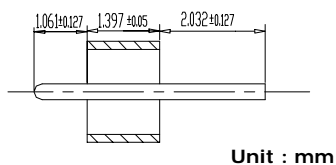
- 2.4 mm
- 2.92 mm
- Field Replaceable SMA

B. Assembly



C. 0.012" c/c seal mounting hole pattern for flange mount connectors

0.012" c/c Glass Seal



<Note>

- 1) Glass Meniscus 0.005 MAX(2X)
- 2) Hermeticity 1E(-8) STD CC /SEC @ 1 ATM
- 3) Gold Plated, MIL-G-45204, 50u MIN
Over Nickel, 100u MIN