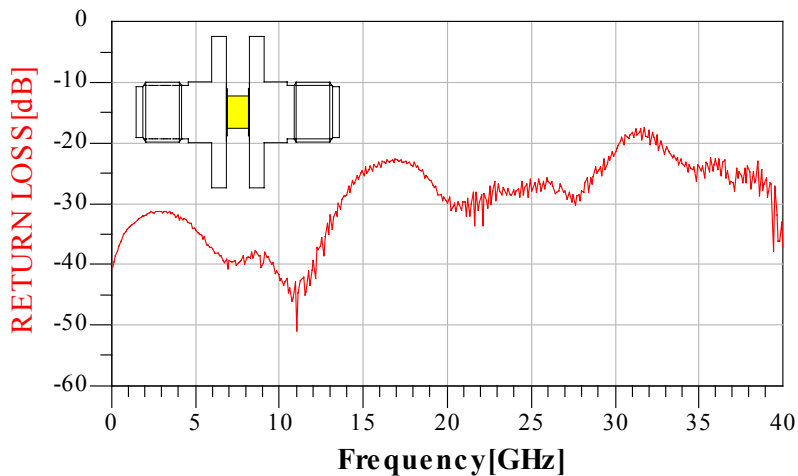
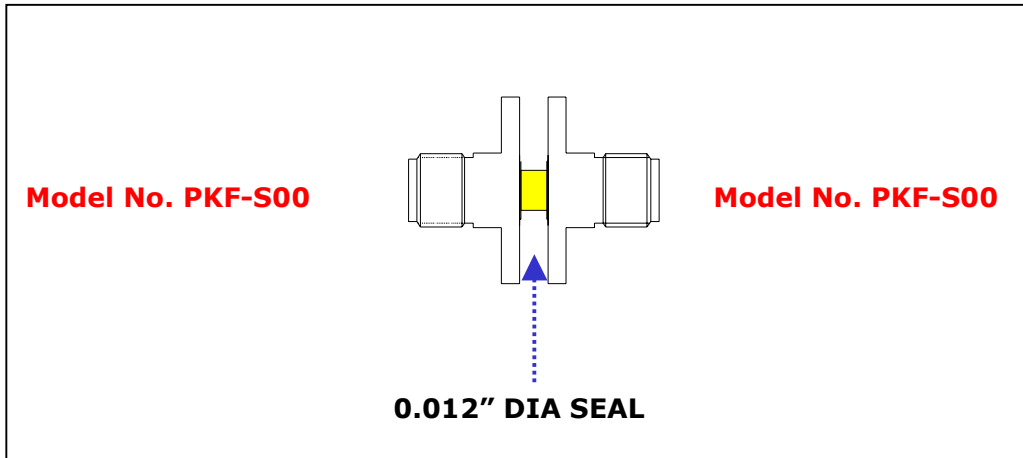


2.92 mm Connector Series

2.92 mm Connector Test Data

Back-to-Back Connector Testing

The back-to-back testing is configured by two connectors with a 50 Ohm seal.

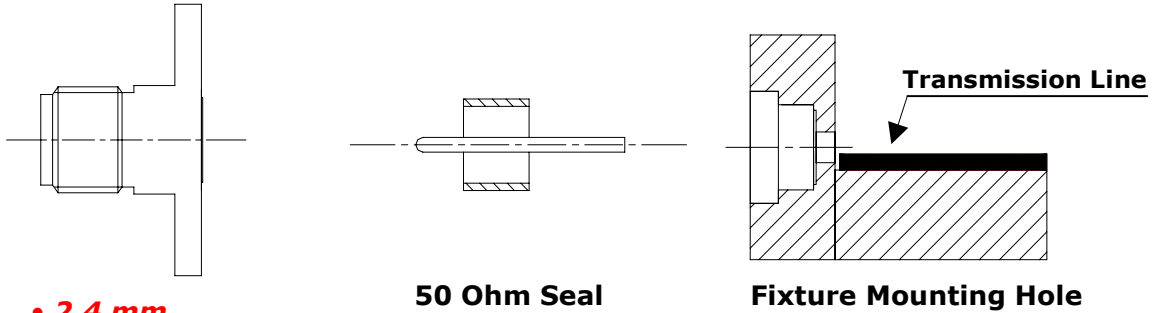


- Low VSWR
- DC to 27.0 GHz 1.15 :1 Max.
- 27.0 to 40 GHz.....1.23 : 1 Max.

2.92 mm Connector Series

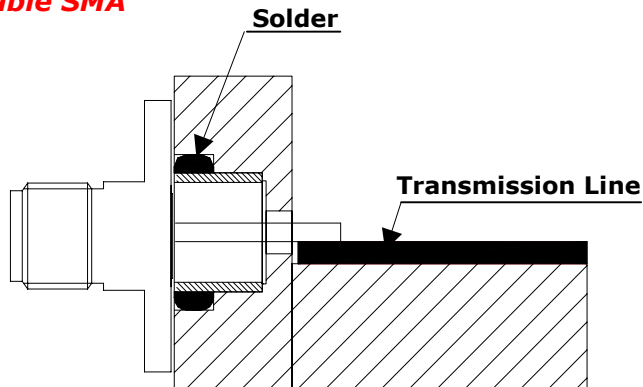
Installation Information

A. Installation



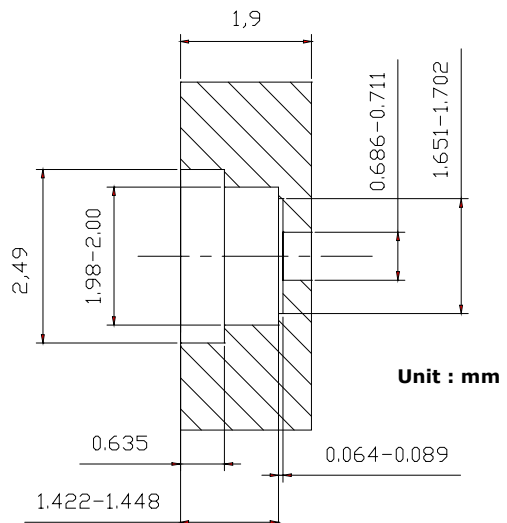
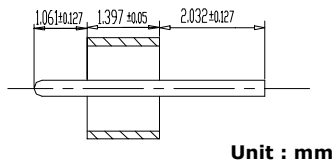
- 2.4 mm
- 2.92 mm
- Field Replaceable SMA

B. Assembly



C. 0.012" c/c seal mounting hole pattern for flange mount connectors

0.012" c/c Glass Seal



<Note>

- 1) Glass Meniscus 0.005 MAX(2X)
- 2) Hermeticity 1E(-8) STD CC /SEC @ 1 ATM
- 3) Gold Plated, MIL-G-45204, 50u MIN
Over Nickel, 100u MIN