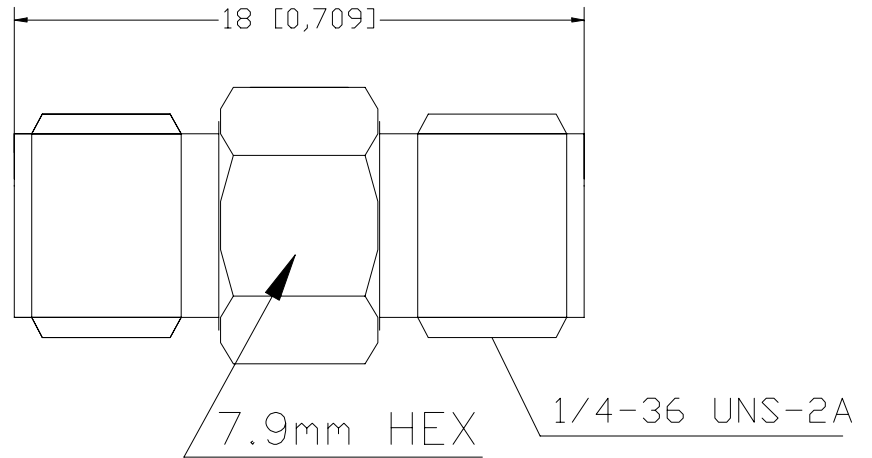


# Precision Adapters

-Precision In Series – 2.92 mm



Unit : mm[inch]

2.92 mm(F) to 2.92 mm(F)

Part No.	KFS-ADP-KFS
Freq.	DC to 40.0 GHz
VSWR	1.2 to 40.0 GHz



*Excellence and Innovation in RF & Microwave Components*