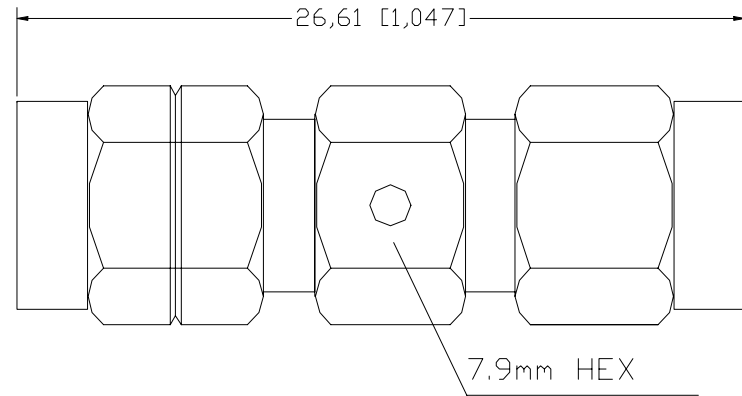


# Precision Adapters

-Precision 2.4 mm between series – SMA



Unit : mm[inch]

2.4 mm(M) to SMA(M)

Part No.	2MS-ADP-SMS
Freq.	DC to 26.5 GHz
VSWR	1.2 to 26.5 GHz



*Excellence and Innovation in RF & Microwave Components*