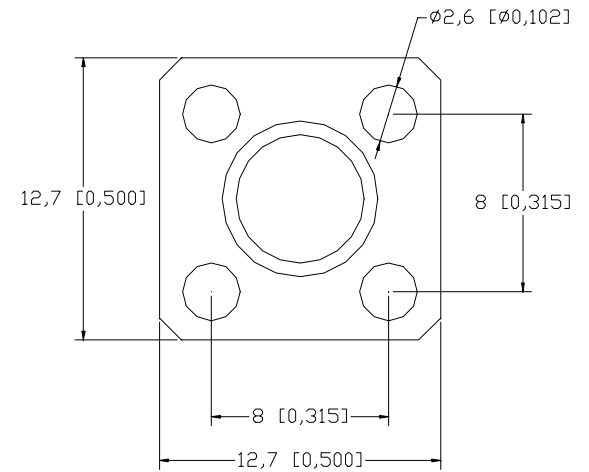
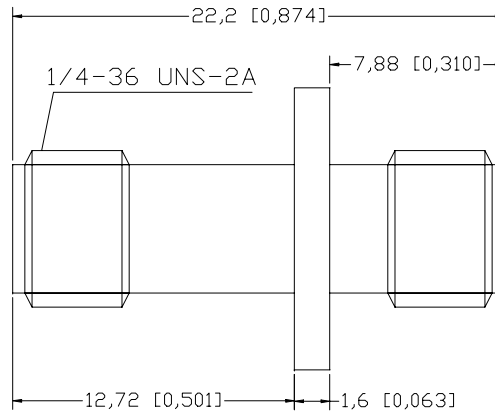


# Standard Adapters



SMA(F) to SMA(F) 4Holes

Unit : mm[inch]

Part No.	AFS-ADP-AFS-4H
Freq.	DC to 12.0 GHz
VSWR	1.2 to 12.0 GHz



*Excellence and Innovation in RF & Microwave Components*