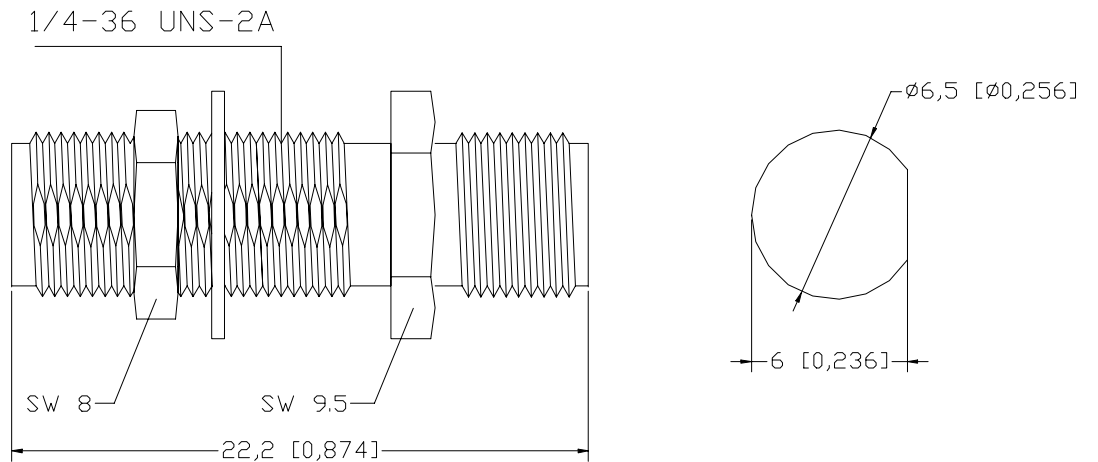


Standard Adapters



Unit : mm[inch]

SMA(F) to SMA(F) Bulk Head

Part No.	AFS-ADP-AFS-BH
Freq.	DC to 12.0 GHz
VSWR	1.2 to 12.0 GHz



Excellence and Innovation in RF & Microwave Components