



PSF-S04 Application Notes

Excellence and Innovation in RF & Microwave Components

" Our Vision is to provide Total RF & Microwave Components and Test Solution for Wireless Communication

Have you ever heard about GigaLane? We are rapidly developing to be Total RF & Microwave Components and Test solution company.

GigaLane was founded on October 24, 2001 in KSBC (Kyonggi Small Business Center). Our main products are High performance SMA Connectors & Low loss cable assemblies which have Low Cost, High Reliability Solutions for RF & Microwave applications.

Specially, Our End-launch Connector(PSF-S01) has excellent return loss performance up to 26.5 GHz for your Test board and GigaLane recently released 2.4 mm and 2.92 mm connectors for High frequency Test applications.

Our staff is composed of design engineers with comprehensive RF backgrounds. We have 10 years experience, database, and patents on the wideband design and characterization.

Gigalane is committed to working with our customers and partners to help make our vision a reality.

**Address : Suite 703, Kyonggi Venture Bldg Suwon Center 1017
Ike-dong, Paldal-gu, Suwon,Kyonggi-do,442-833, KOREA**

Tel : +82-31-233-7325

Extension : Management (100)
Domestic Marketing (200)
Overseas Marketing (300)
R&D Center (400)

Fax : +82-31-233-7317

E-mail: sales@gigalane.com Website: www.gigalane.com

PSF-S04 Application Notes.

APPLICATION

DC to 26.5 GHz Evaluation Board and Test System

FEATURES

Electrical Ratings

- Frequency Range DC ~ 26.5 GHz
- Impedance 50 ohm
- Insulation Resistance 10000 Mohm min
- Dielectric Withstanding Voltage 1000 (Vrms min. at sea level)

Mechanical Ratings

- Durability 500 matings
- Force to engage and disengage Not exceed 2 inch pounds
- Recommended coupling nut torque 7 – 10 inch pounds

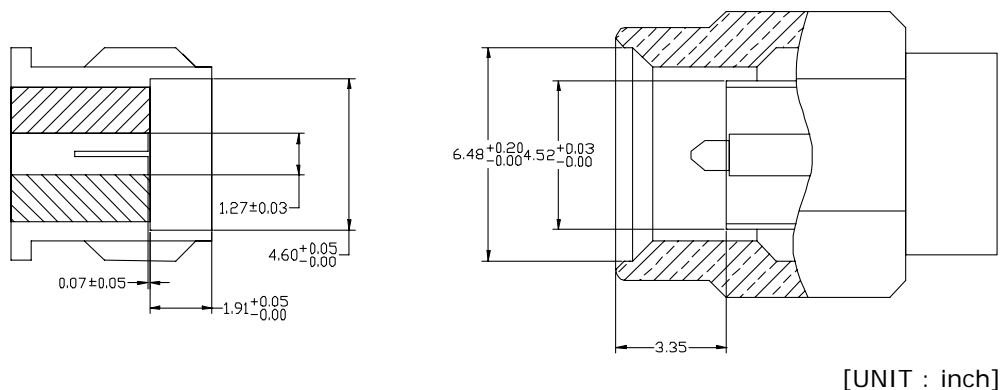
Environmental Ratings

- Temperature range -65 C to +125 C
- Shock MIL-STD-202, Method 213
- Moisture resistance MIL-STD-202, Method 106

Materials Specifications

- Bodies
- Contacts BeCu per QQ-C-530, gold plated
- Dielectric PTFE fluorocarbon

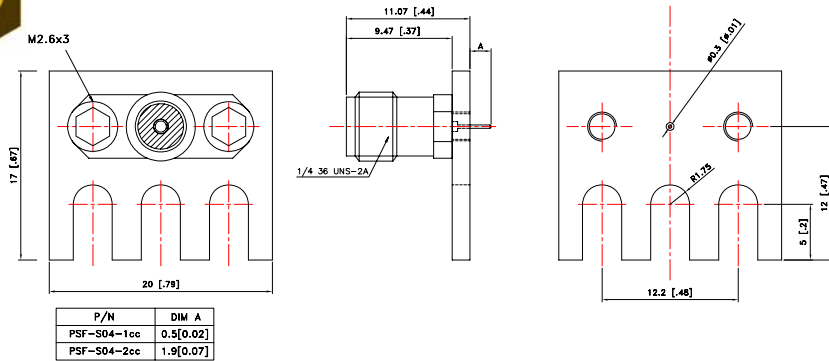
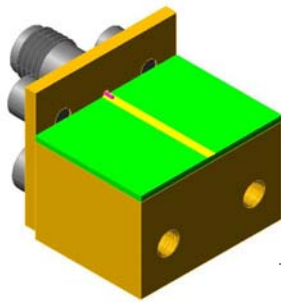
Dimensions



PSF-S04 Application Notes.

PSF-S04

PSF-S04 Connector is ideal for PCB board test with various board thickness and easy for the installation. The position of the connector is adjusted based on PCB thickness.

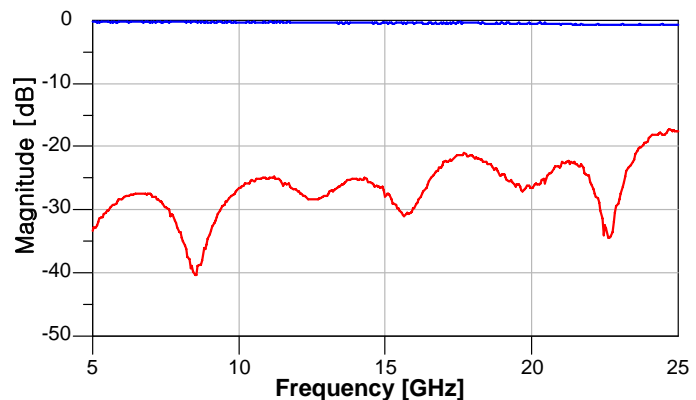


FEATURES

- PSF-S04 is designed to thin substrate and narrow width microstrip Line.
ex) $0.3\text{mm} < w < 1\text{mm}$, $0.2\text{mm} < t < 0.6\text{mm}$
- We provide M2.5 & M3.0 screws for fixturing.



Test DUT



Agilent Technologies
Channel Partner

Excellence and Innovation
in RF & Microwave Components

www.gigalane.com

Suite 703, Kyonggi Venture Bldg
Suwon Center 1017 Inkye-dong, Paldal-gu
Suwon, Kyonggi-do, 442-833, Korea
TEL:+82-31-233-7325
TEL +82-31-233-7317