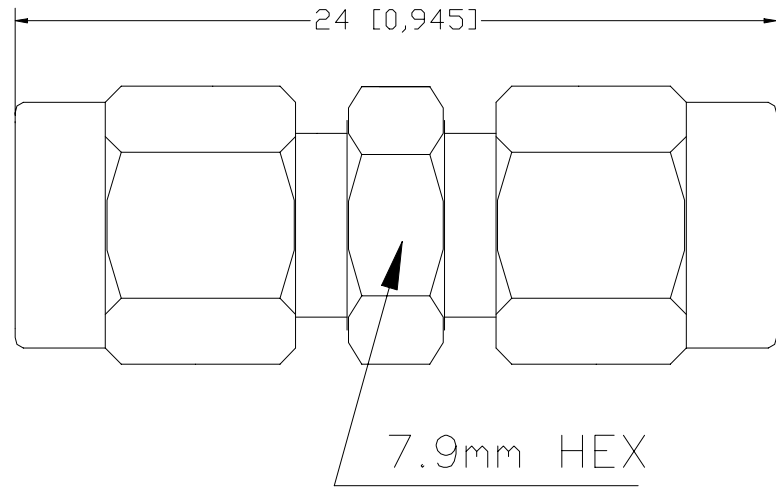


# Precision Adapters

-Precision In Series – 2.92 mm



Unit : mm[inch]

2.92 mm(M) to 2.92 mm(M)

Part No.	KMS-ADP-KMS
Freq.	DC to 40.0 GHz
VSWR	1.2 to 40.0 GHz

**GigaLane**



Agilent Technologies

Channel Partner

*Excellence and Innovation in RF & Microwave Components*