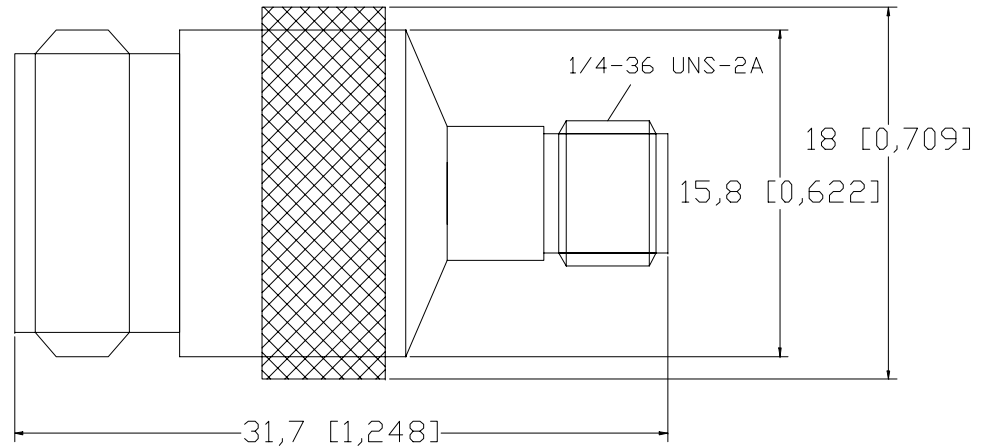


# Standard Adapters



Unit : mm[inch]

N(F) to SMA(F)

Part No.	NFS-ADP-AFS
Freq.	DC to 12.0 GHz
VSWR	1.2 to 12.0 GHz

**GigaLane**

 **Agilent Technologies**  
Channel Partner

*Excellence and Innovation in RF & Microwave Components*