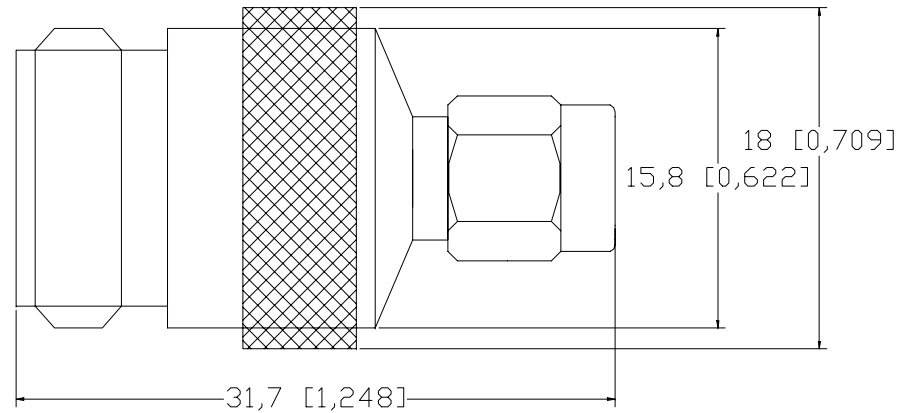


Standard Adapters



N(F) to SMA(M)



Unit : mm[inch]

Part No.	NFS-ADP-AMS
Freq.	DC to 12.0 GHz
VSWR	1.2 to 12.0 GHz



Excellence and Innovation in RF & Microwave Components