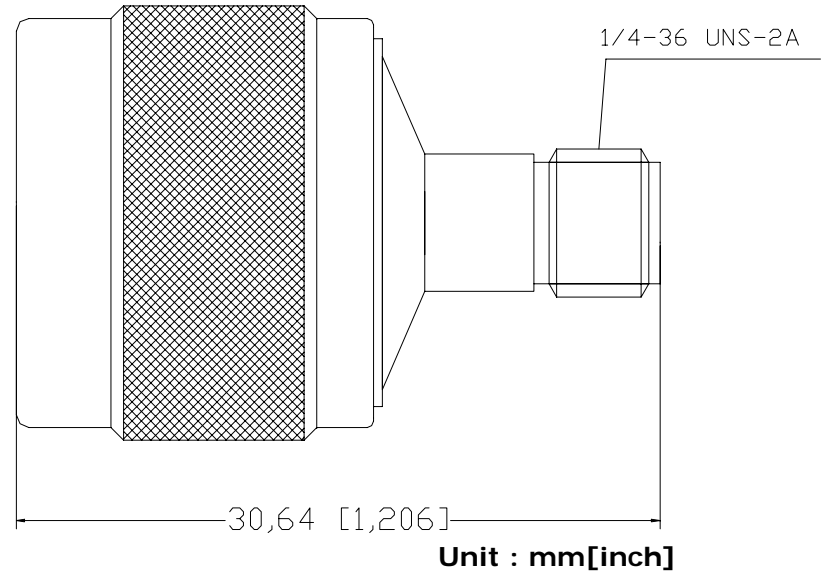


# Standard Adapters



N(M) to SMA(F)



Part No.	NMS-ADP-AFS
Freq.	DC to 12.0 GHz
VSWR	1.2 to 12.0 GHz

**GigaLane**



Agilent Technologies

Channel Partner

*Excellence and Innovation in RF & Microwave Components*