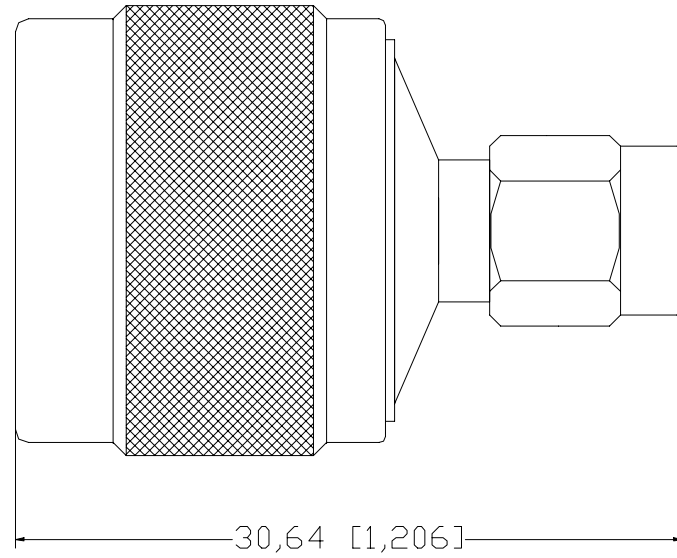


Standard Adapters



N(M) to SMA(M)



Unit : mm[inch]

Part No.	NMS-ADP-AMS
Freq.	DC to 12.0 GHz
VSWR	1.2 to 12.0 GHz

GigaLane

 **Agilent Technologies**
Channel Partner

Excellence and Innovation in RF & Microwave Components