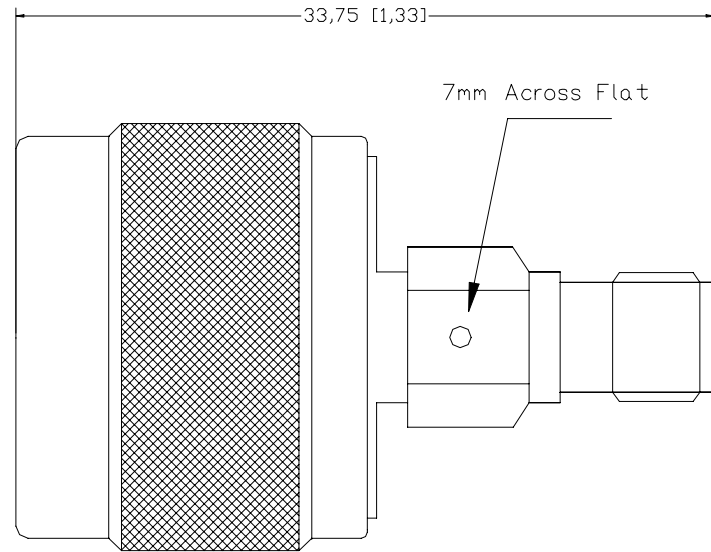


Precision Adapters

- Precision Type N between series –SMA



N(M) to SMA(F)



Unit : mm[inch]

Part No.	NMS-ADP-SFS
Freq.	DC to 18.0 GHz
VSWR	1.2 to 18.0 GHz



Excellence and Innovation in RF & Microwave Components