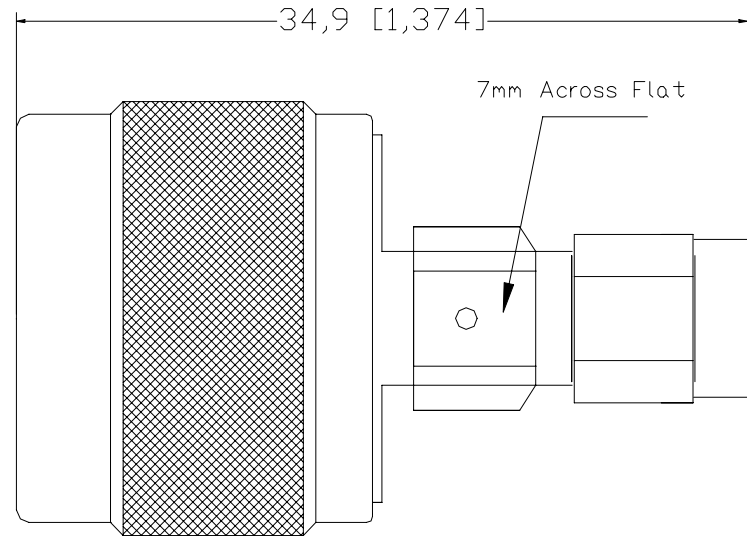


# Precision Adapters

- Precision Type N between series –SMA



N(M) to SMA(M)



Unit : mm[inch]

|          |                 |
|----------|-----------------|
| Part No. | NMS-ADP-SMS     |
| Freq.    | DC to 18.0 GHz  |
| VSWR     | 1.2 to 18.0 GHz |



*Excellence and Innovation in RF & Microwave Components*