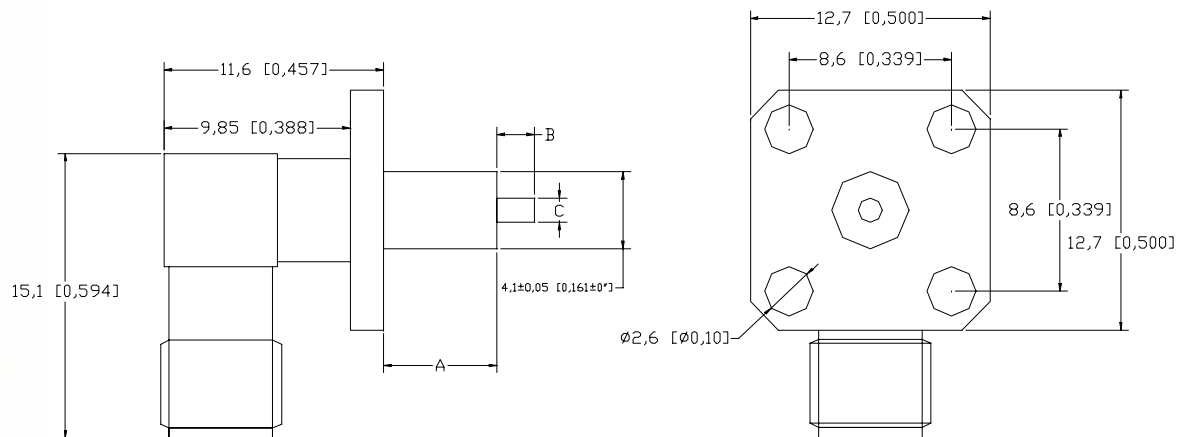


SMA Series *-SMA Connectors*

Right Angle Panel Mount Jack



PAF-R01



Unit : mm[inch]

Part No	DIM A	DIM B	DIM C
PAF-R01-1cc	4.00[0.157]	2.00[0.079]	1.27[0.050]
PAF-R01-2cc	4.00[0.157]	2.00[0.079]	0.50[0.020]
PAF-R01-3cc	6.00[0.236]	2.00[0.079]	1.27[0.050]
PAF-R01-4cc	6.00[0.236]	2.00[0.079]	0.50[0.020]



Excellence and Innovation in RF & Microwave Components