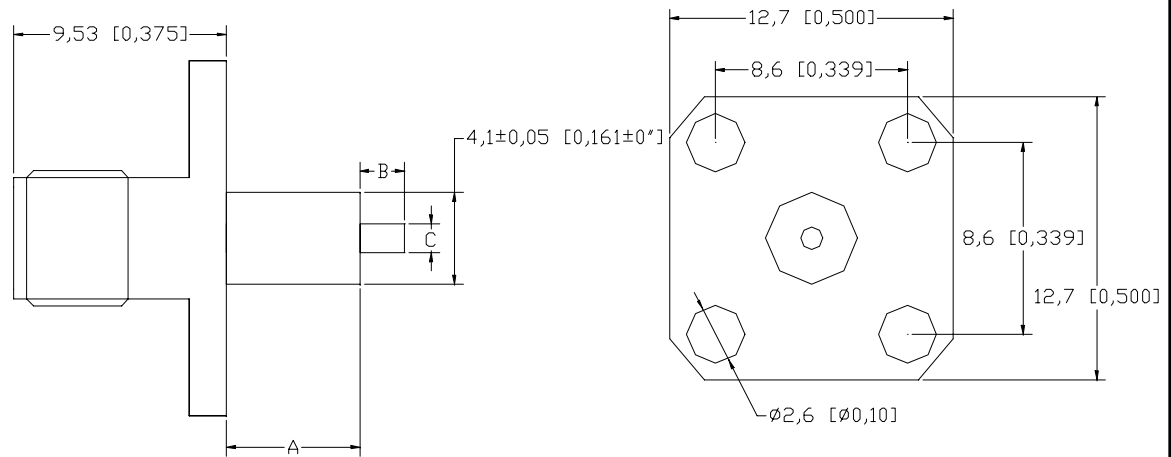


SMA Series

-SMA Connectors

Panel Mount Jack



Unit : mm[inch]

PAF-S02

Part No.	DIM A	DIM B	DIM C
PAF-S02-1cc	4.00[0.157]	2.00[0.079]	1.27[0.050]
PAF-S02-2cc	4.00[0.157]	2.00[0.079]	0.50[0.020]
PAF-S02-3cc	6.00[0.236]	2.00[0.079]	1.27[0.050]
PAF-S02-4cc	6.00[0.236]	2.00[0.079]	0.50[0.020]



Excellence and Innovation in RF & Microwave Components