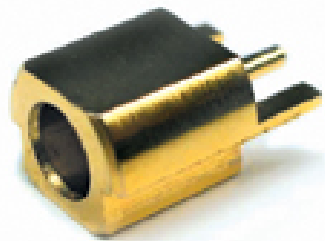
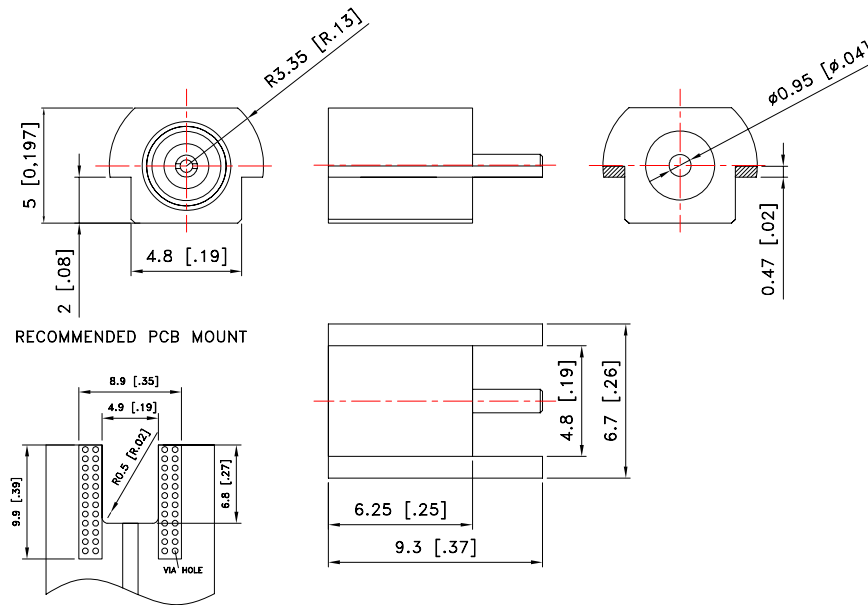


# MCX Series *-Connectors*

## End Launch PCB Mount Jack



PDF-S03



Unit : mm [inch]



*Excellence and Innovation in RF & Microwave Components*