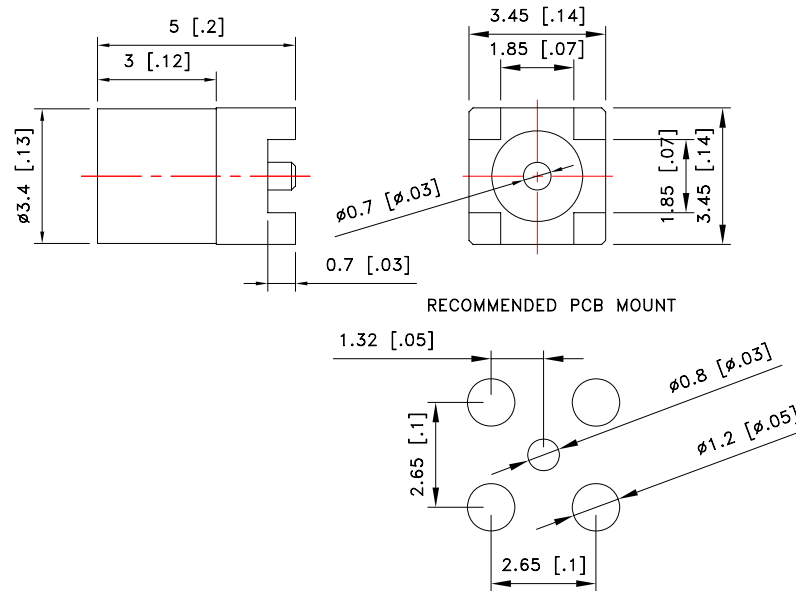


# MMCX Series -Connectors

## Straight PCB Mount Jack



PEF-S00



Unit : mm [inch]



*Excellence and Innovation in RF & Microwave Components*