

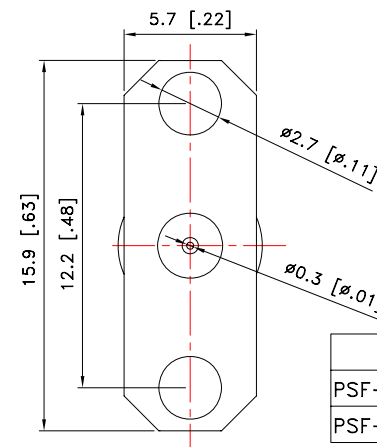
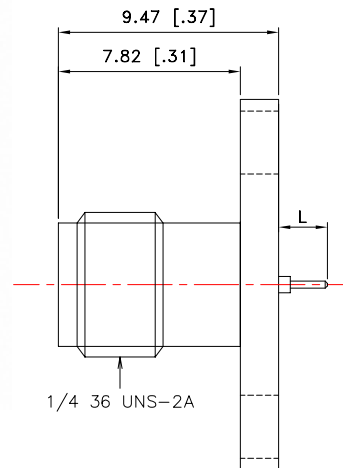
# SMA Series

-High Performance SMA Connectors

## Panel Mount Jack (2 Holes)



PSF-S03-000



P/N	DIM L
PSF-S03-000-1cc	2.1[0.08]
PSF-S03-000-2cc	3.5[0.14]

Unit : mm [inch]



*Excellence and Innovation in RF & Microwave Components*