

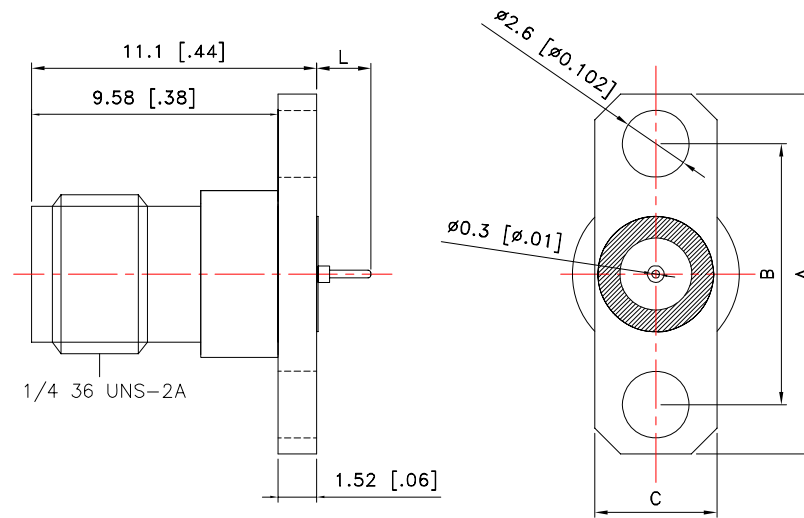
SMA Series

-High Performance SMA Connectors

Epoxy Captivated (EMI Shielding)



PSF-S03-001



P/N	DIM L	DIM A	DIM B	DIM C
PSF-S03-001-1cc	2.1[0.08]	14[0.55]	10.2[0.4]	4.75[0.19]
PSF-S03-001-2cc	3.5[0.14]	14[0.55]	10.2[0.4]	4.75[0.19]
PSF-S03-001-3cc	2.1[0.08]	15.9[0.63]	12.2[0.48]	5.7[0.22]
PSF-S03-001-4cc	3.5[0.14]	15.9[0.63]	12.2[0.48]	5.7[0.22]



Unit : mm [inch]

Excellence and Innovation in RF & Microwave Components