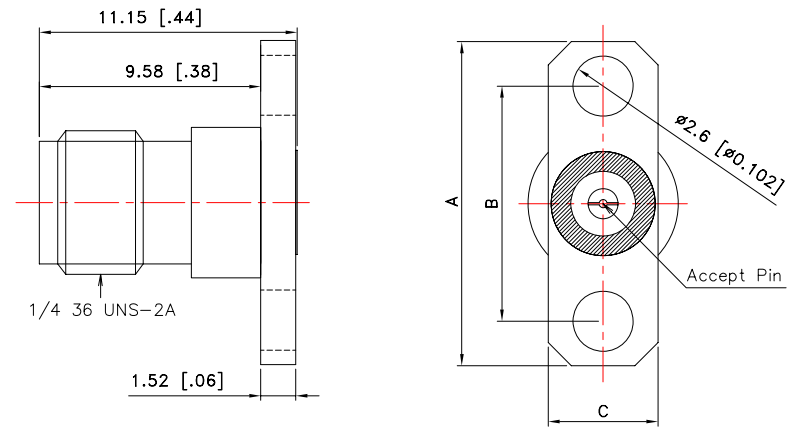


SMA Series

-High Performance SMA Connectors

Field Replaceable (EMI Shielding)



P/N	Accept Pin	DIM A	DIM B	DIM C
PSF-S03-002-1cc	0.3[0.012]	14[0.55]	10.2[0.4]	4.75[0.19]
PSF-S03-002-2cc	0.38[0.015]	14[0.55]	10.2[0.4]	4.75[0.19]
PSF-S03-002-3cc	0.46[0.018]	14[0.55]	10.2[0.4]	4.75[0.19]
PSF-S03-002-4cc	0.51[0.02]	14[0.55]	10.2[0.4]	4.75[0.19]
PSF-S03-002-5cc	0.3[0.012]	15.9[0.63]	12.15[0.48]	5.7[0.22]
PSF-S03-002-6cc	0.38[0.015]	15.9[0.63]	12.15[0.48]	5.7[0.22]
PSF-S03-002-7cc	0.46[0.018]	15.9[0.63]	12.15[0.48]	5.7[0.22]
PSF-S03-002-8cc	0.51[0.02]	15.9[0.63]	12.15[0.48]	5.7[0.22]

Unit : mm [inch]



Excellence and Innovation in RF & Microwave Components