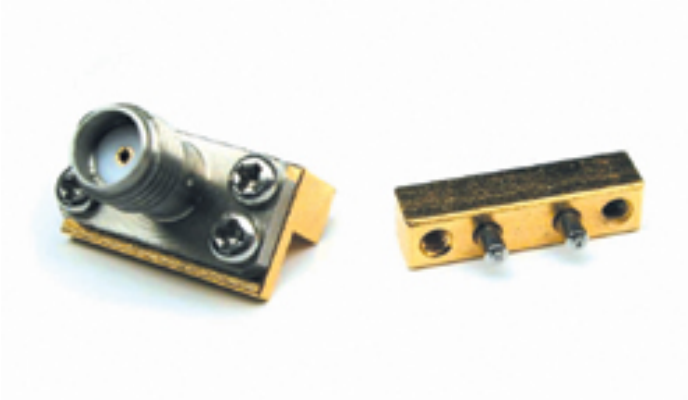


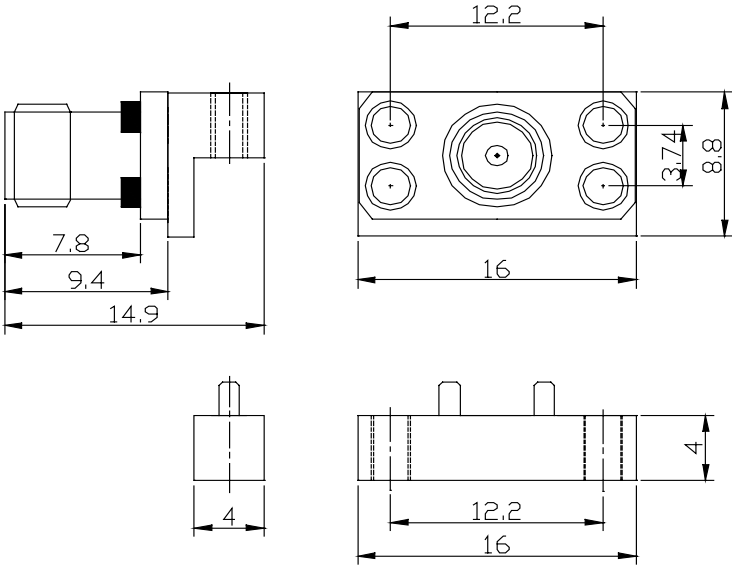
SMA Series

-High Performance SMA Connectors

Edge Mount Type



PSF-S05



Unit : mm[inch]



Excellence and Innovation in RF & Microwave Components