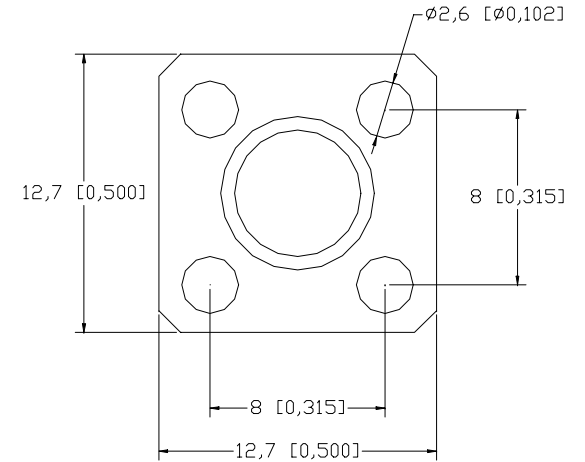
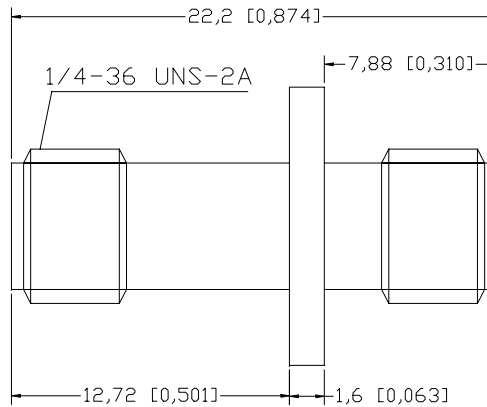


Precision Adapters

-Precision In Series – SMA



Unit : mm[inch]

SMA(F) to SMA(F) 4Holes

| | |
|----------|-----------------|
| Part No. | SFS-ADP-SFS-4H |
| Freq. | DC to 26.5 GHz |
| VSWR | 1.2 to 26.5 GHz |



Excellence and Innovation in RF & Microwave Components