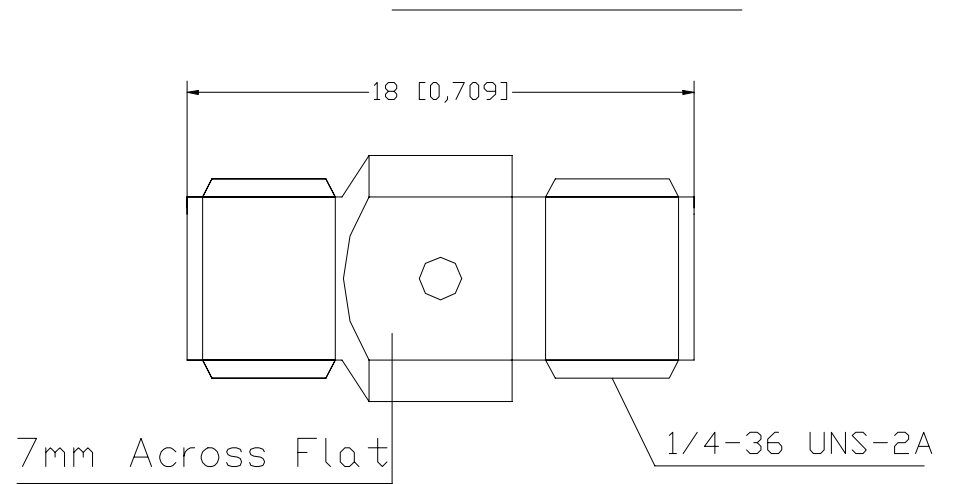


Precision Adapters

-Precision In Series – SMA



Unit : mm[inch]

SMA(F) to SMA(F)

Part No.	SFS-ADP-SFS
Freq.	DC to 26.5 GHz
VSWR	1.2 to 26.5 GHz



Excellence and Innovation in RF & Microwave Components