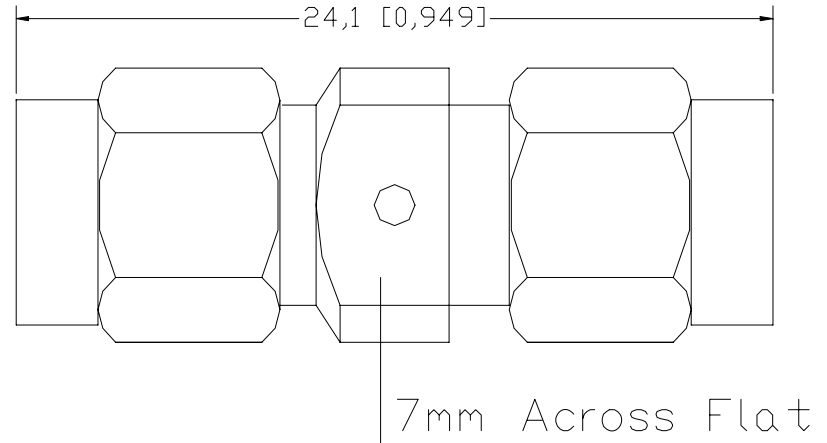


Precision Adapters

-Precision In Series – SMA



Unit : mm[inch]

SMA(M) to SMA(M)

Part No.	SMS-ADP-SMS
Freq.	DC to 26.5 GHz
VSWR	1.2 to 26.5 GHz



Excellence and Innovation in RF & Microwave Components