

RF Test Socket & Contact Rubber Solutions

GigaLane's **RF Test Socket** with high performance **contact rubber** solutions provides highly stable and repeatable RF production and R&D test for RF IC & RF SMD devices upto 18GHz. The RF devices include all kind of Flat Thin RFIC packages types and SOT type packages. It provides high productivity and low cost for RF production and R&D testing.

Product Specification

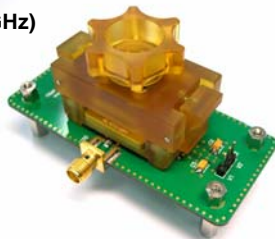
Target Components	MLF, BCC, LPCC, QFN, BGA Types
	SOT Types (SOT23, 26, 89, 86, 323, 343, 363)
Frequency Range	~15 GHz (-1dB)
Inductance	<0.25nH (0.3mm height)
Capacitance	<0.015pF (0.5mm pitch)
Contact Resistance	20~70 mOhm
Contact Force	20 ~ 40 gram / pad
Operating Temperature	- 50C ~ + 250C
Life Time	Contact Rubber : 100,000 contacts
	Housing : > 1,000,000 actuations
Material	Contact : Gold powder pillar, Special Gold Silicone Rubber
	Housing : Ultem, Torlon

Examples : RF Socket for RF-TR, Contact Rubbers



RF TR TEST SOCKET (~12.5GHz)
: SOT23 Packages

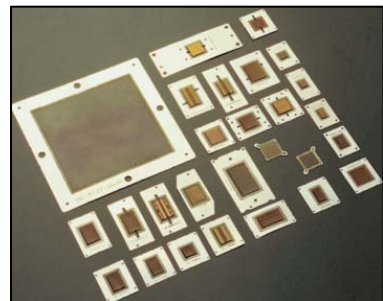
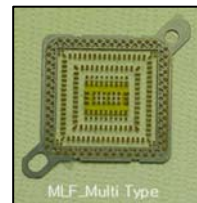
RF TR TEST BOARD
w/ RF SOCKET



CONTACT RUBBER

Packages: uBGA, BGA, LGA, MLP, CSP, TSOP, QFP, SOIC, SOT, Others

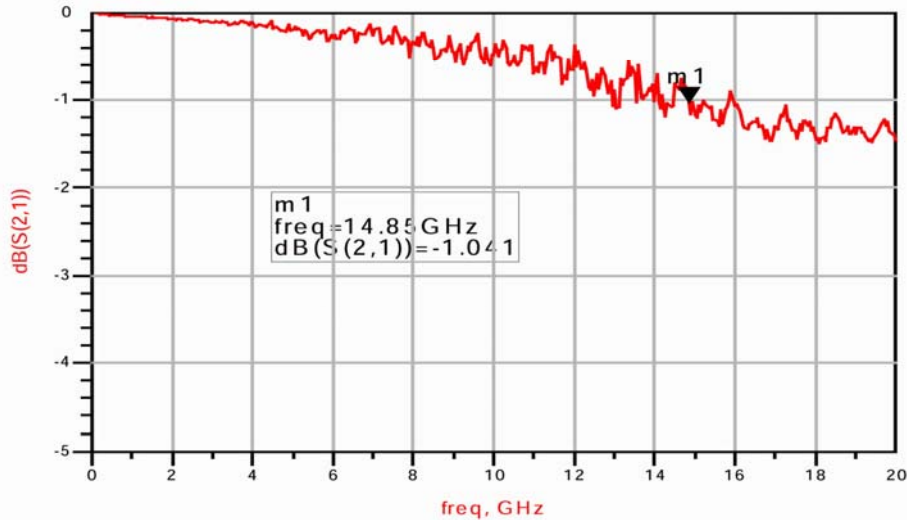
Device Pitch : 0.3mm, 0.4mm, 0.5mm, 0.65mm, 0.75mm, 0.8mm, 1.27mm



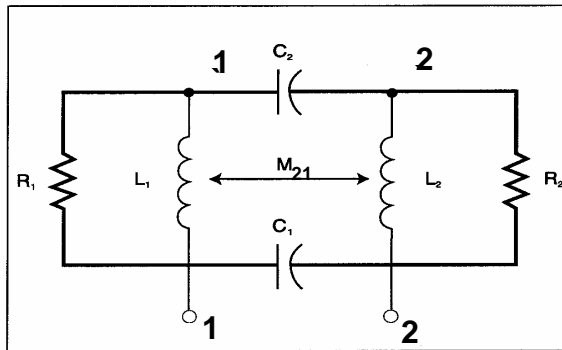
RF Performance (from GigaTest lab.)

Loop-thru Bandwidth Measurement

Measured insertion loss versus frequency for two pins in series



Equivalent Circuit Model (from GigaTest lab.)



Pins	$L_1 \& L_2$ (nH)	M_{21} (nH)	$R_1 \& R_2$ (Ω)	$C_{2,1}$ (pF)
Field adjacent	0.22	0.03	200	0.013
Field diagonal	0.21	0.01	200	0.002
Edge adjacent	0.24	0.03	200	0.015
Corner adjacent	0.28	0.03	200	0.015